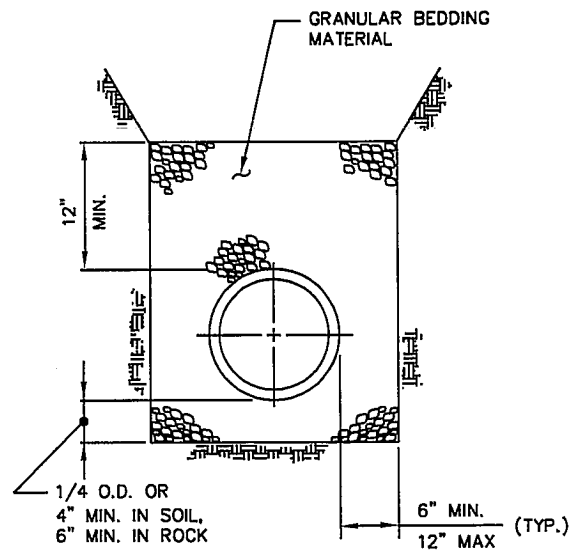
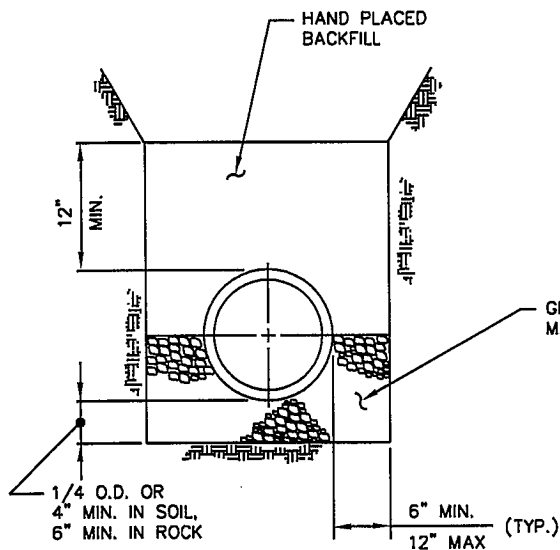


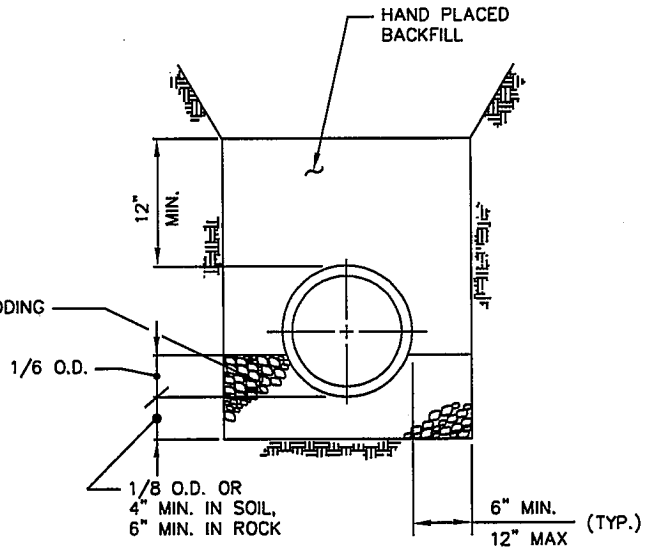
CLASS A ARCH ENCASEMENT



CLASS B ALTERNATIVE COMPACTED GRANULAR BEDDING



CLASS B COMPACTED GRANULAR BEDDING



CLASS C COMPACTED GRANULAR BEDDING

NOTES:

THERE SHALL BE A MINIMUM OF 30" OF BACKFILL OVER THE PIPE BEFORE HEAVY COMPACTION EQUIPMENT IS USED.

REVISED 10-08-03 CADD DRAWING BY GTS CONSULTANTS, INC.

DATE: JAN. 1991

DRAWN: G.G.&J.T.R.

SCALE: NONE

LAKESIDE TOWNSHIP  
MUNICIPAL UTILITIES AUTHORITY

BEDDING DETAIL

28