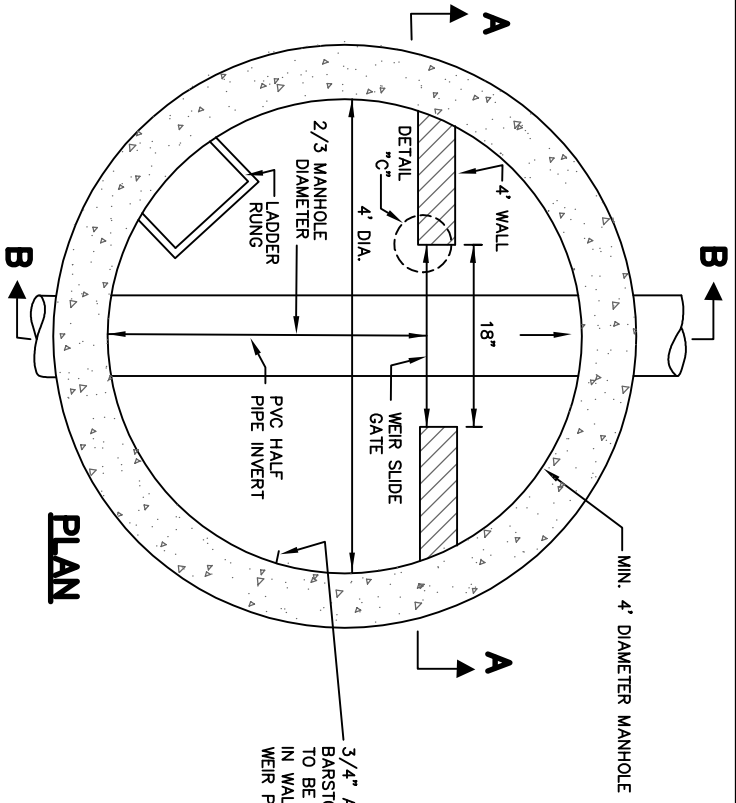


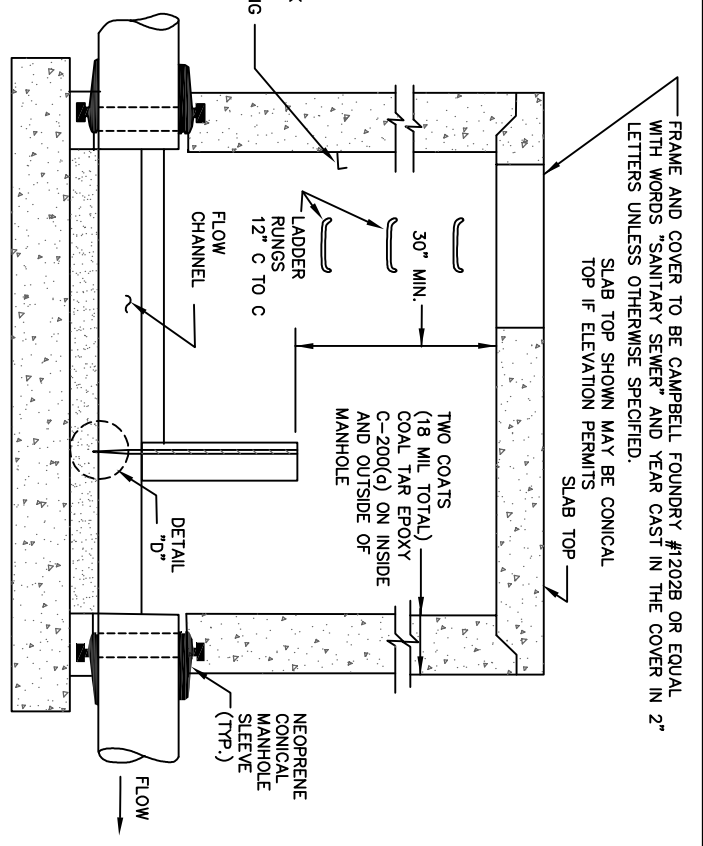
LAKWOOD TOWNSHIP
 MUNICIPAL UTILITIES AUTHORITY

O.C.U.A. TYPE DISCHARGE
 CONTROL MANHOLE

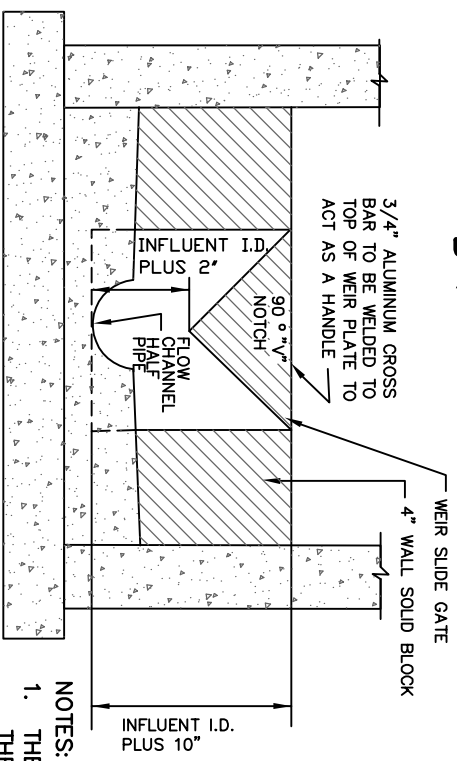
2



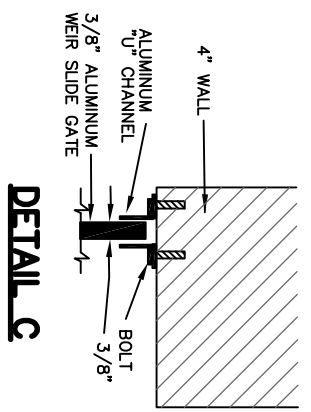
PLAN



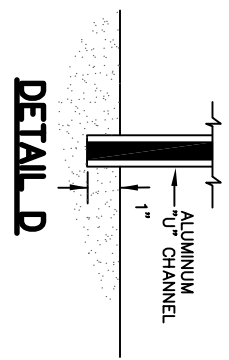
SECTION B-B



SECTION A-A



DETAIL C



DETAIL D

- NOTES:
1. THERE SHALL BE NO CHANGE IN VERTICAL OR HORIZONTAL ALIGNMENT EITHER WITHIN THE MANHOLE OR 10 FEET OUTSIDE OF THE MANHOLE.
 2. THE DESIGN OF OTHER TYPES OF CONTROL MANHOLES ARE SUBJECT TO THE APPROVAL OF THE OCEAN COUNTY UTILITIES AUTHORITY.
 3. THESE MANHOLES MUST MEET ALL CRITERIA GIVEN ON THE AUTHORITIES STANDARD MANHOLE DETAILS INCLUDING BUT NOT LIMITED TO THE CRITERIA OF 12" OF CRUSHED STONE BENEATH THE MANHOLE BASE.

REVISED 11-1-08
 REVISED 12-13-02
 CADD DRAWING BY GTS CONSULTANTS, INC.

REVISED BY LTMUA

FRAME AND COVER TO BE CAMPBELL FOUNDRY #1202B OR EQUAL WITH WORDS "SANITARY SEWER" AND YEAR CAST IN THE COVER IN 2" LETTERS UNLESS OTHERWISE SPECIFIED.
 SLAB TOP SHOWN MAY BE CONICAL TOP IF ELEVATION PERMITS
 SLAB TOP

TWO COATS
 (18 MIL TOTAL)
 COAL TAR EPOXY
 C-200(G) ON INSIDE
 AND OUTSIDE OF
 MANHOLE

3/4" ALUMINUM
 BARSTOCK HOOK
 TO BE PLACED
 IN WALL TO HANG
 WEIR PLATE

3/4" ALUMINUM CROSS
 BAR TO BE WELDED TO
 TOP OF WEIR PLATE TO
 ACT AS A HANDLE

INFLUENT I.D.
 PLUS 10"

INFLUENT I.D.
 PLUS 2"