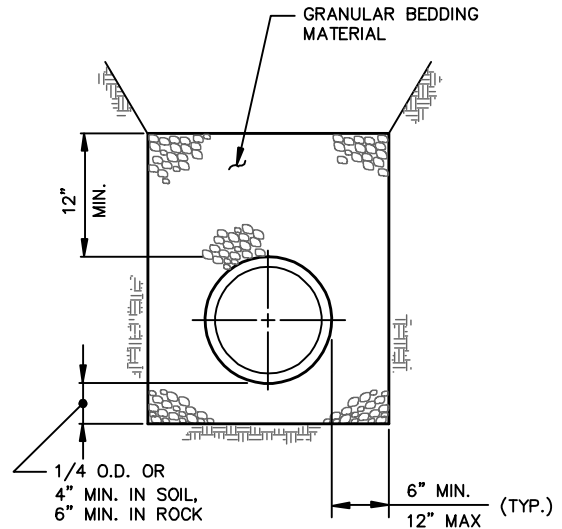
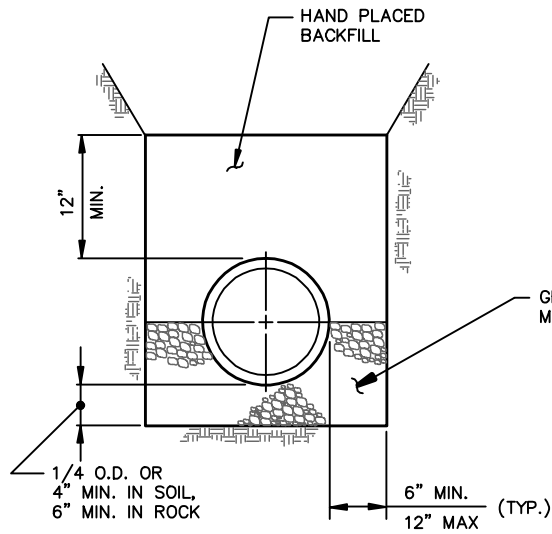


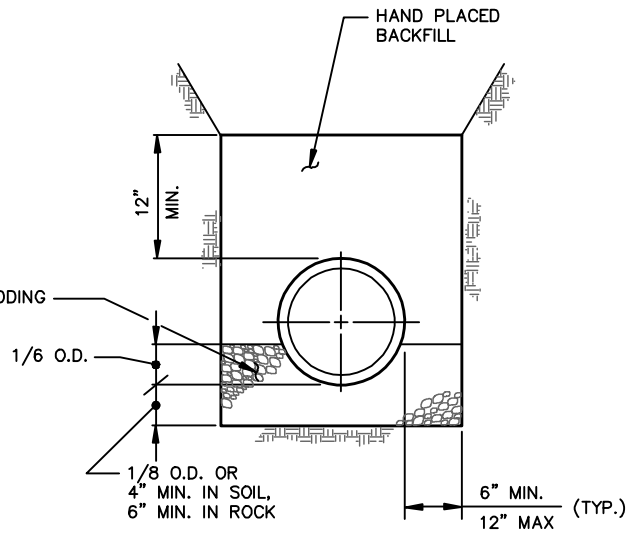
**CLASS A
ARCH ENCASEMENT**



**CLASS B ALTERNATIVE
COMPACTED GRANULAR
BEDDING**



**CLASS B
COMPACTED GRANULAR
BEDDING**



**CLASS C
COMPACTED GRANULAR
BEDDING**

NOTES:

THERE SHALL BE A MINIMUM OF 30" OF BACKFILL OVER THE PIPE BEFORE HEAVY COMPACTION EQUIPMENT IS USED.

REVISED 10-08-03 CADD DRAWING BY GTS CONSULTANTS, INC.

DATE: JAN. 1991
DRAWN: G.G.&J.T.R.
SCALE: NONE

**LAKWOOD TOWNSHIP
MUNICIPAL UTILITIES AUTHORITY**

BEDDING DETAIL