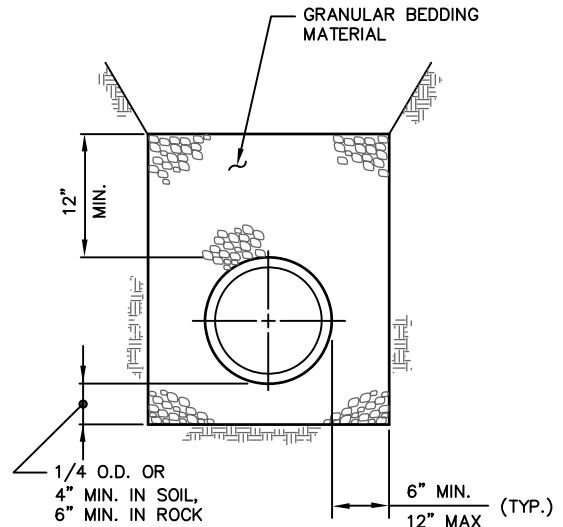
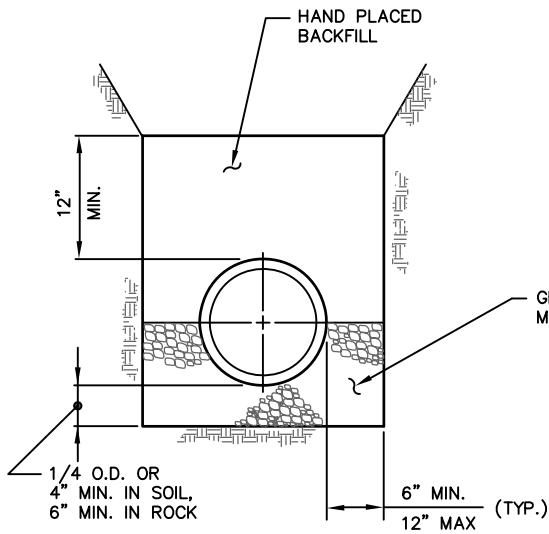


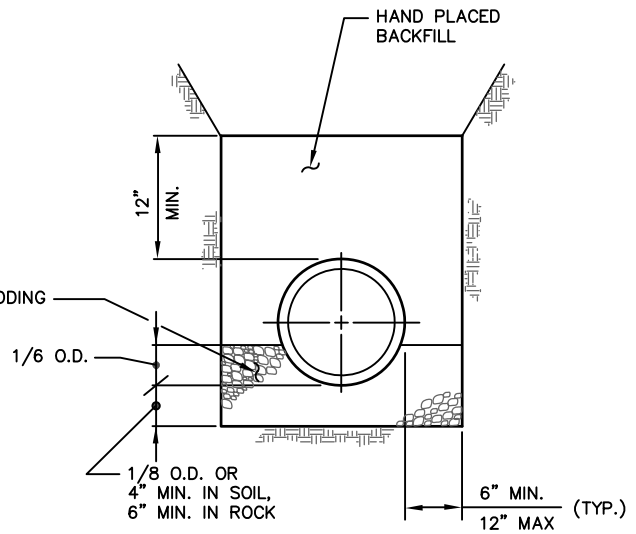
**CLASS A
ARCH ENCASEMENT**



**CLASS B ALTERNATIVE
COMPACTED GRANULAR
BEDDING**



**CLASS B
COMPACTED GRANULAR
BEDDING**



**CLASS C
COMPACTED GRANULAR
BEDDING**

NOTES:

1. BEDDING MATERIAL FOR SANITARY SEWER MAIN INSTALLATION MUST BE 3/4" CLEAN STONE (GRAVEL) UNLESS OTHERWISE PERMITTED OR REQUIRED BY THE AUTHORITY ENGINEER.
2. THERE SHALL BE A MINIMUM OF 30" OF BACKFILL OVER THE PIPE BEFORE HEAVY COMPACTION EQUIPMENT IS USED.

REVISED 7-15-20	REVISED NOTES BY GTS CONSULTANTS
REVISED 10-08-03	CADD DRAWING BY GTS CONSULTANTS, INC.
DATE: JAN. 1991	LAKWOOD TOWNSHIP MUNICIPAL UTILITIES AUTHORITY
DRAWN: G.G.&J.T.R.	
SCALE: NONE	