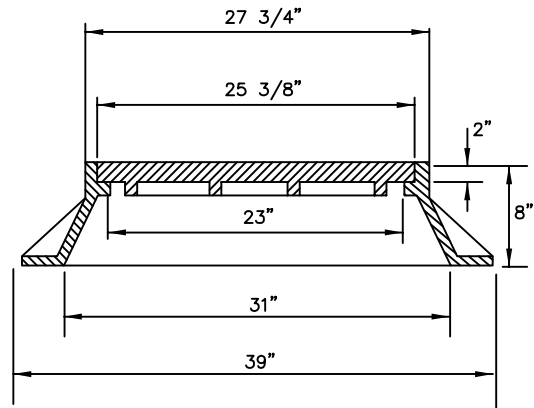
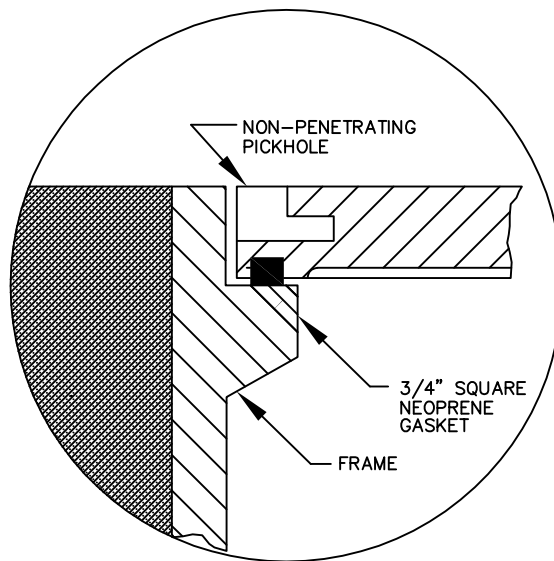


ROUND FLANGE



SECTION



"FLOW-SEAL" MANHOLE COVER

NOTES:

1. FRAME AND COVER TO BE CAMPBELL FOUNDRY NO. 1202 B OR EQUAL
2. UNLESS SPECIFICALLY NOTED OTHERWISE, ALL FRAMES AND COVERS TO BE "FLOW-SEAL" AS MANUFACTURED BY CAMPBELL FOUNDRY OR EQUAL.
3. COVERS TO BE PROVIDED WITH NON-PENETRATING PICK HOLES.
4. COVERS FOR MANHOLES TO BE OWNED BY AUTHORITY MUST HAVE "L.T.M.U.A." AND YEAR CAST INTO THE COVERS IN 2 INCH LETTERS.
5. OCUA TYPE DISCHARGE CONTROL MANHOLES AND OTHER SANITARY SEWER MANHOLES THAT WILL NOT BE OWNED BY THE AUTHORITY, MUST HAVE THE WORDS "SANITARY SEWER" AND YEAR CAST INTO THE COVER IN 2" LETTERS.

REVISED 07-16-08	REVISED NOTE No. 4 & 5
REVISED 12-13-02	CADD DRAWING BY GTS CONSULTANTS, INC.

DATE: JAN. 1991
DRAWN: G.G.&J.T.R.
SCALE: NONE

**LAKWOOD TOWNSHIP
MUNICIPAL UTILITIES AUTHORITY**

**FRAME AND COVER
DETAIL**